

brand	PARTNER
-------	----------------

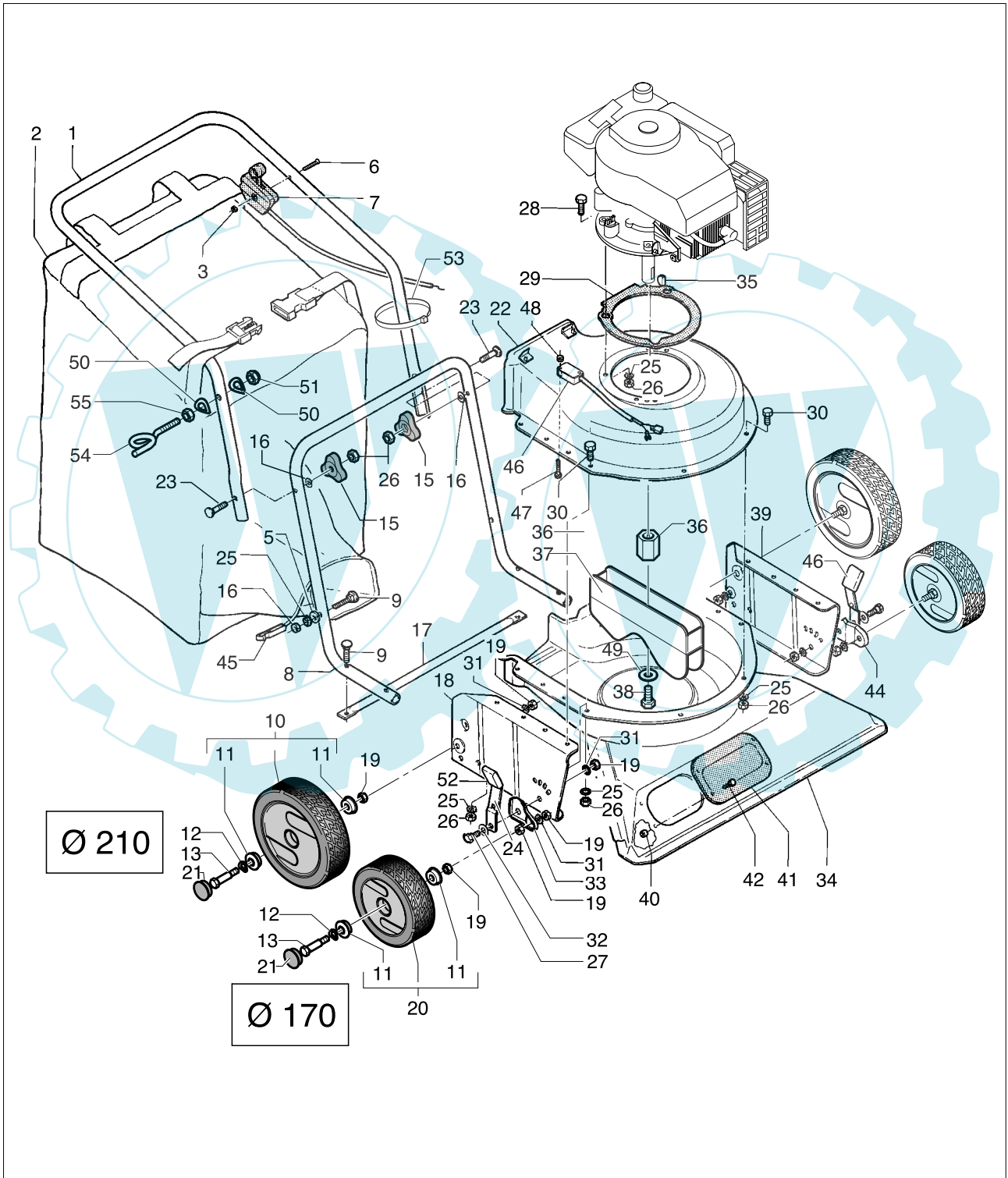
date	JAN/02	SHEET 1/3
------	--------	-----------

Model

3776VAC

Product number

9538780-11





ELECTROLUX OUTDOOR PRODUCTS

brand	PARTNER
-------	----------------

date	JAN/02	SHEET 2/3
------	--------	-----------

3776VAC

Pos	PN ELX	PN MEP	Q.ty	Note	Pos	PN ELX	PN MEP	Q.ty	Note
1	531205641	10138133	1		39	531205684	10138553	1	SX
2	531205647	10138230	1		40	531208492	20282100	4	M5 H7 UNI7473-ZB
3	531205213	10121890	1	M5 DIN 6923	41	531205652	10138303	1	
5	531204922	10114200	2	8x16x1,5 ZB	42	531207301	10552200	4	5Mx12 TC
6	531206346	10162910	1	TE M5x40 UNI 5739-45-Z.	44	531204915	10107302	1	DX
7	531205300	10123070	1		45	531208239	20138403	1	
8	531205640	10138123	1		46	531205655	10138363	1	
9	531207447	10655900	6	TTSQ M8x40 TF ZB	47	531206647	10280400	2	4Mx30 TGS
10	531204609	09141294	2	D210/26 COP.A.C/CUS	48	531206672	10287400	2	M4 H6 UNI7473-ZB
12	531206644	10275100	4	UNI 8840- B12(13/24/0,8	49	531207730	10782700	1	11x40xsp1,8 F 3
13	531205042	10120090	4		50	531204961	10115900	2	6,5E
15	531204923	10114303	2		51	531208491	20281800	1	M6 H8 UNI7473-ZB
16	531207090	10402402	2	8,5	52	531207986	20107203	2	
17	531205645	10138213	1		53	531207599	10687700	1	mm 98x2,5
18	531205679	10138543	1		54	531205169	10121470	1	
19	531207978	20101700	10	M10 H8 UNI 5588-6S ZB	55	531207165	10501200	1	M6 H6 UNI 5587-6S-ZB
20	531204607	09141284	2	D170/26 COP. AUTO C/CUS					
21	531204936	10114804	4						
22	531205667	10138511	1						
23	531207089	10402401	2	TTSQ M8x50 TFZB					
24	531207985	20107201	2						
25	531207981	20106200	22	D.8E DIN 6798					
26	531207982	20106300	19	M8 H8 UNI 5587-6S ZB					
27	531204912	10107100	2						
28	531205196	10121700	3	TE M8x35 UNI 5739-8,8-ZB					
29	531205642	10138153	1						
30	531207980	20103800	10	TE M8x16 UNI 5739-8,8-ZB					
31	531208974	30102100	6	10E					
32	531206643	10272500	2	UNI8840-B12(- 13/24/1,2)					
33	531204914	10107301	1	SX					
34	531205673	10138521	1						
35	531204907	10100900	1	4x6,5 UNI6606 WODRUF					
36	531205659	10138470	1						
37	531205644	10138183	1						
38	531207086	10400600	1	TE 3/8UNFx50- 8,8 1/2F ZB					

brand	PARTNER
-------	----------------

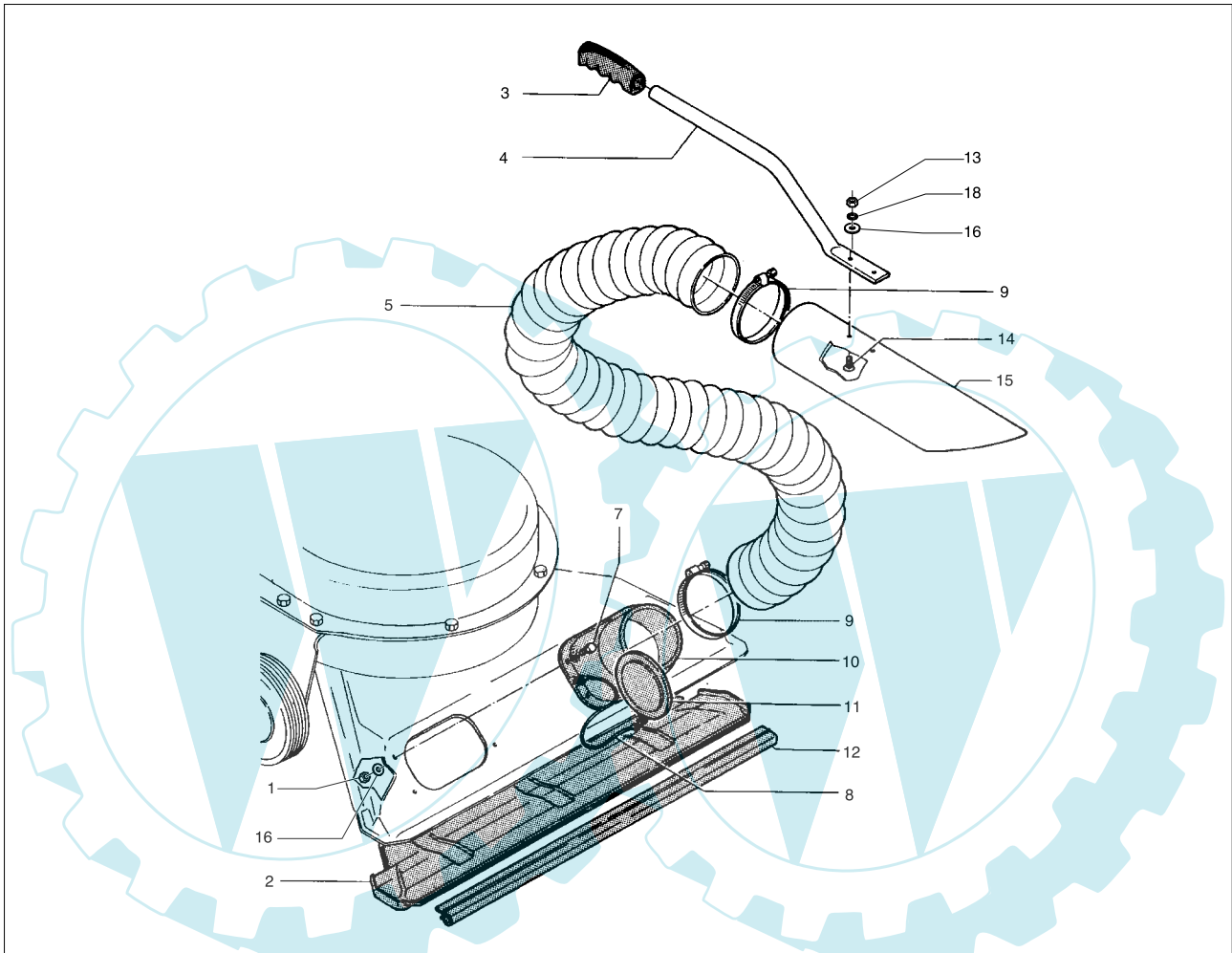
date	JAN/02	SHEET 3/3
------	--------	-----------

Model

3776VAC

Product number

9538780-11



Pos	PN ELX	PN MEP	Q.ty	Note	Pos	PN ELX	PN MEP	Q.ty	Note
1	531208492	20282100	4	M5 H7 UNI7473-ZB	11	531205634	10138073	1	
2	531205646	10138223	1		12	531205654	10138333	1	
3	531205267	10122683	1		13	531207165	10501200	2	M6 H6 UNI 5587-6S-ZB
4	531208234	20138273	1		14	531207808	10826600	2	6Mx20 TB STQ
5	531205650	10138250	1		15	531210901	20138670	1	
7	531207301	10552200	4	5Mx12 TC	16	531207786	10805000	4	5x10x1
8	531208225	20138080	1	1,6MM70-2 FAS OCCF4	17	531208759	20652200	2	6x13x1
9	531205651	10138290	2		18	531208499	20286606	2	D.6E
10	531205633	10138063	1						